



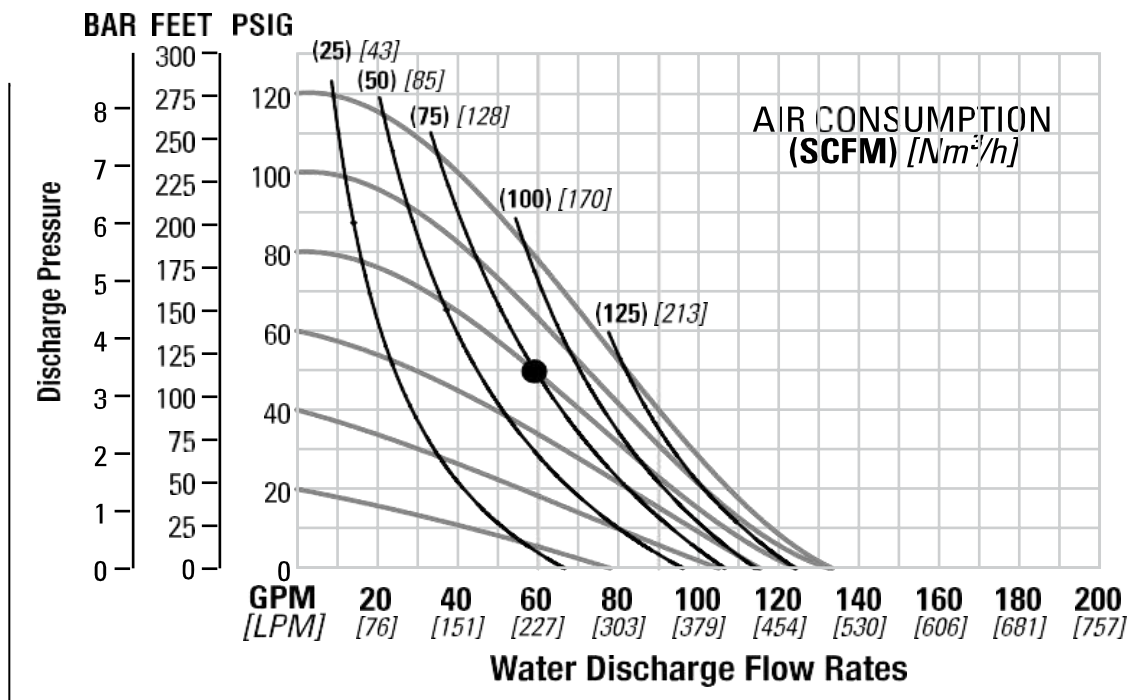
AIR OPERATED DOUBLE DIAPHRAGM PUMP

SECTION 1 – NOMENCLATURE

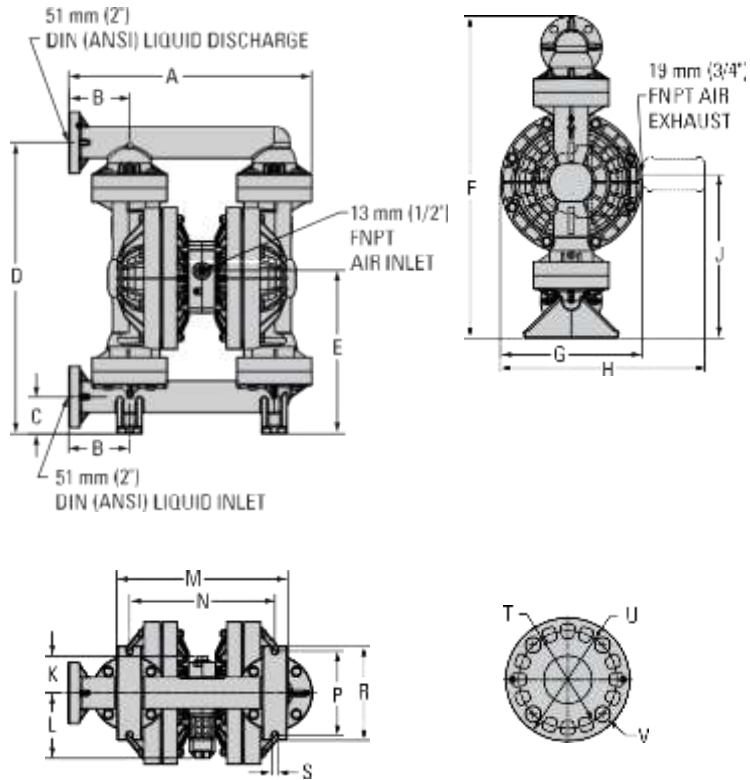
Max Flow rate	: 586Lpm
Port Size	: Inlet : 50.80mm (2" BSP) Discharge : 50.80mm (2" BSP) Air Inlet : 1/2" BSP Air Exhaust : 19.05mm (3/4" BSP)
Suction Lift	: Dry : 4.57m (15') Wet : 7.62m (25')
Teflon	: Dry : 3.05m (10') Wet : 6.09m (20')
Max Particle Size (Dia)	: 6.35mm (0.250")
Diaphragm	: Teflon, <u>Santoprene</u> , Buna



SECTION 2 – FLOW CURVES

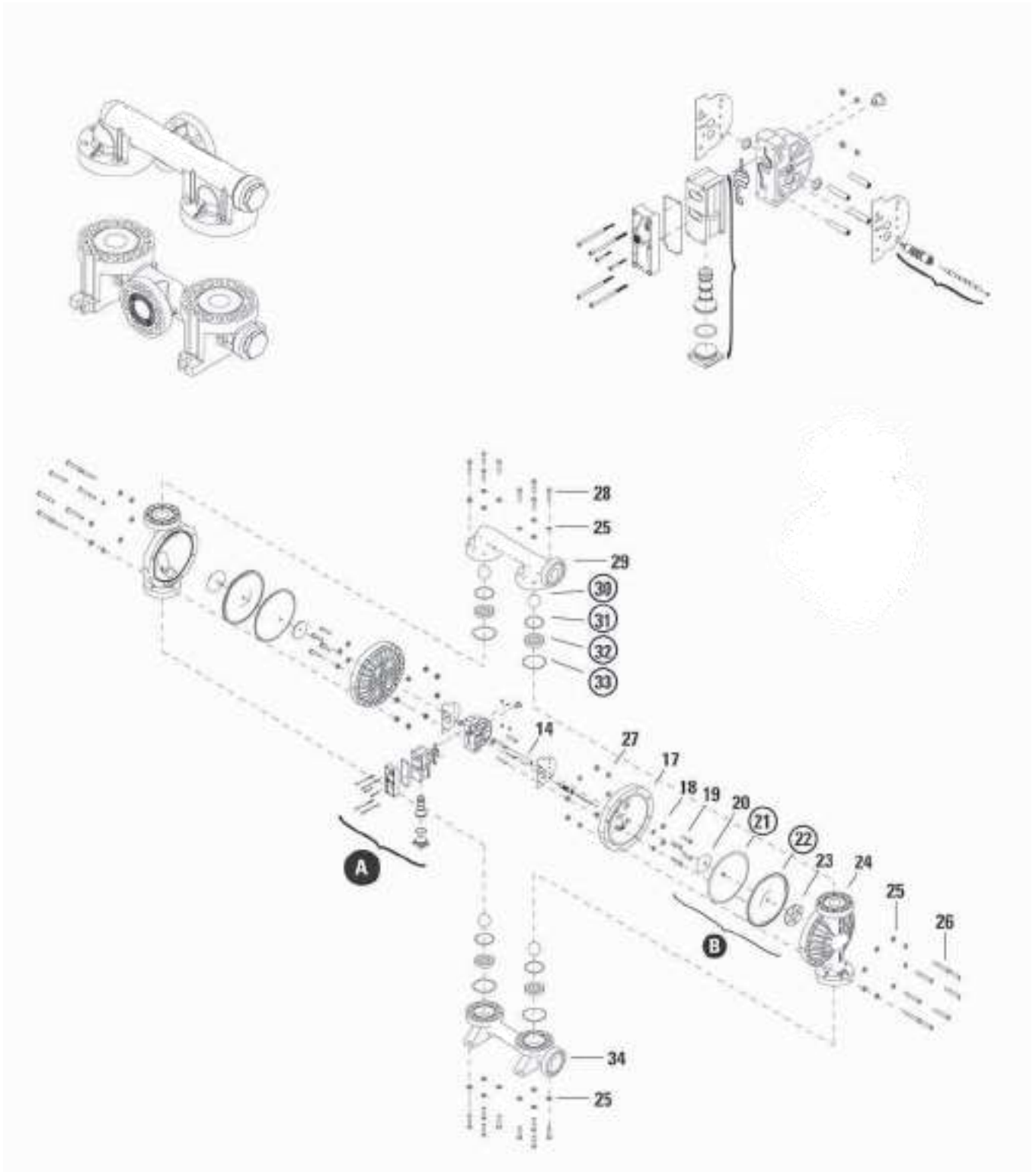


SECTION 3 – DIMENSIONS DRAWING



ITEM	METRIC (mm)	STANDARD (inch)
A	605	23.8
B	150	5.9
C	91	3.6
D	729	28.7
E	406	16.0
F	805	31.7
G	353	13.9
H	508	20.0
J	406	16.0
K	84	3.1
L	122	4.8
M	424	16.7
N	361	14.2
P	200	8.2
R	234	9.2
S	15	0.6
DIN FLANGE		
T	125 DIA	4.9 DIA
U	165 DIA	6.5 D A
V	10 DIA.	0.7 DIA
ANSI FLANGE		
T	122 DIA	4.8 DIA
U	152 DIA	6.0 D A
V	20 DIA	0.8 D A

SECTION 4 – PUMP VIEW



SECTION 5 – SPARE PART LIST

No.	Part Description	Qty.	PTFE Fitted	Rubber-TPE Fitted
1	Air Valve Assembly	1	N04-2000-20-700	N04-2000-20-700
2	O-Ring (-255), End Cap (1.859" x .139")	1	N01-2390-52-700	N01-2390-52-700
3	End Cap	1	N04-2330-20-700	N04-2330-20-700
4	Screw, HHC, 1.2-20 x 4.5"	4	N01-6000-03	N01-6000-03
5	Screw, SHCS, 10-16 x 1.75"	2	N04-6351-03	N04-6351-03
6	Muffler Plate	1	N04-3180-20-700	N04-3180-20-700
7	Gasket, Muffler Plate	1	N04-3500-52-700	N04-3500-52-700
8	Gasket, Air Valve	1	N04-2600-25-700	N04-2600-25-700
9	Center Block	1	N04-3110-20	N04-3110-20
10	Bushing, Reducer	1	N04-6950-20-700	N04-6950-20-700
11	Nut, Hex 1.4" - 20	4	N00-6505-03	N00-6505-03
12	Sleeve, Threaded, Center block	4	N04-7710-03	N04-7710-03
13	Removable Pilot Sleeve Assembly	1	N04-3882-99	N04-3882-99
14	Shaft	1	N08-3842-03	N08-3811-09
15	Slyder Ring	2	N08-3210-55-225	N08-3210-55-225
16	Gasket, Center Block	2	N04-3526-52	N04-3526-52
17	Air Chamber	8	N08-3681-20	N08-3681-20
18	Washer, flat 3.8 x 13.32	8	N04-6741-03	N04-6741-03
19	Screw, HHC, 3/8" - 16 x 1-1/4"	2	N04-6190-03	N04-6190-03
20	Inner Piston	2	N08-3750-01	N08-3700-01
21	Diaphragm, Back-up	2	*N08-1060-51	N/A
22	Diaphragm, PTFE Primary	2	*N08-1010-55-42	*N08-1010-58
23	Outer Piston	2	N08-4600-21-500	N08-4550-21-500
24	Liquid Chamber	2	N08-5005-20	N08-5005-20
25	Washer, Plain	32	N04-6730-03	N04-6730-03
26	Screw, HHC, 1/2 - 13 x 4.00	16	N08-6198-03	N08-6198-03
27	Nut, Hex Flange 1/2 - 13	16	N08-6435-03	N08-6435-03
28	Screw, HHC, 1/2 - 13 x 2	16	N04-6210-03	N04-6210-03
29	Manifold Discharge ANSI, Side Ported	1	N08-5030-20	N08-5030-20
	Manifold Discharge DIN, Side Ported	1	N08-5031-20	N08-5031-20
30	Valve Ball	4	*N08-1080-55	*N08-1080-55
31	Valve Seat, O-Ring (3.475 x .210")	4	*N08-1205-60	*N08-1205-60
32	Valve Seat	4	N08-1125-20	N08-1125-20
33	Manifold O-Ring (4.350" x .210")	4	*N08-1371-60	*N08-1371-60
34	Manifold, Inlet ANSI, Side Ported	1	N08-5090-20	N08-5090-20
	Manifold, Inlet DIN, Side Ported	1	N08-5091-20	N08-5091-20
35	Pilot Spool, O-Ring	2	N04-2650-49-700	N04-2650-49-700